

## NUTSTOSEN

von Längsnuten nach  
DIN 138 und DIN 6885

broaching keyways according  
DIN 138 und DIN 6885

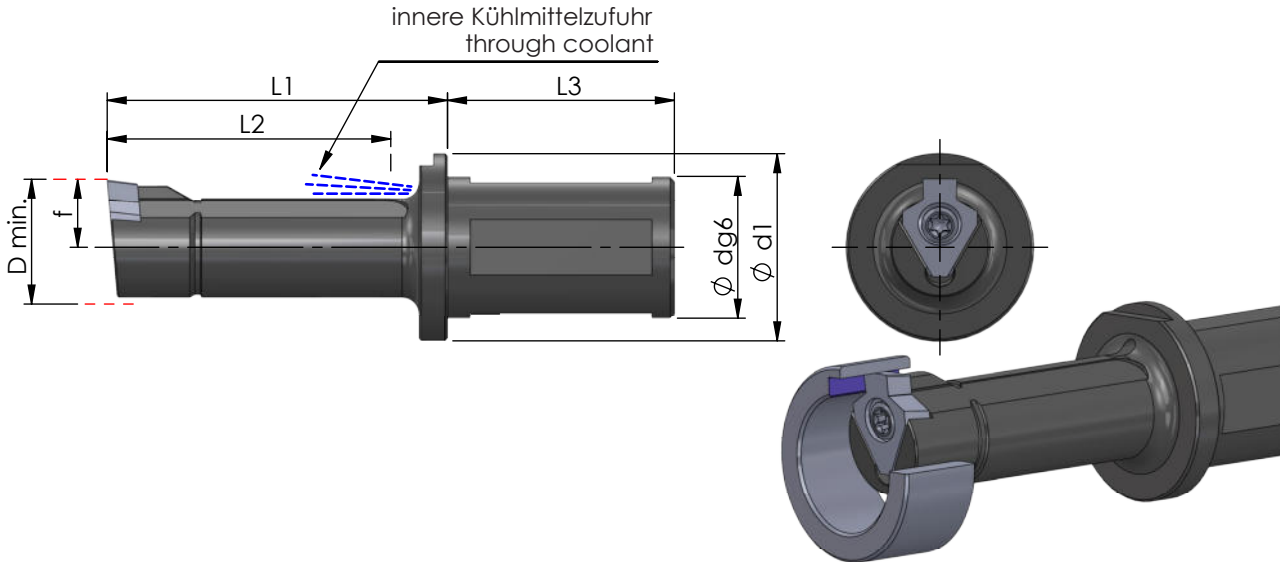
## Typ NHV.22 / NHV.30 / NHV.38 / NHV.45

Klemhalter  
mit Innenkühlung

D min. 22 / 30 / 38 / 45 mm

toolholder  
with internal cooling

D min. 22 / 30 / 38 / 45 mm



Abmessungen in mm

dimensions in mm

| Bestellnummer<br>part number | D min. | Ø d g6 x L3<br>Aufnahme<br>clamping part | L1  | L2  | f    | Ø d1 | Spannschraube<br>screw | Schraubenschlüssel<br>wrench | Anzugs-<br>drehmoment<br>torque | für Schneidplatte<br>for insert |
|------------------------------|--------|--|-----|-----|------|------|------------------------|------------------------------|---------------------------------|---------------------------------|
| NHV.22.0025.1                | 22     | Ø25 x 40                                 | 60  | 50  | 12   | 33   | 85.818                 | TR20                         | 6.0 Nm                          | NPV...                          |
| NHV.22.0025.2                | 22     | Ø25 x 40                                 | 85  | 75  | 12   | 33   |                        |                              |                                 |                                 |
| NHV.22.0025.3                | 22     | Ø25 x 60                                 | 115 | 105 | 12   | 33   |                        |                              |                                 |                                 |
| NHV.30.0032.1                | 30     | Ø32 x 40                                 | 60  | 50  | 16.5 | 45   |                        |                              |                                 |                                 |
| NHV.30.0032.2                | 30     | Ø32 x 40                                 | 85  | 75  | 16.5 | 45   |                        |                              |                                 |                                 |
| NHV.30.0032.3                | 30     | Ø32 x 40                                 | 115 | 105 | 16.5 | 45   |                        |                              |                                 |                                 |
| NHV.30.0032.4                | 30     | Ø32 x 60                                 | 160 | 150 | 16.5 | 45   |                        |                              |                                 |                                 |
| NHV.38.0032.1                | 38     | Ø32 x 40                                 | 60  | 50  | 22   | 45   |                        |                              |                                 |                                 |
| NHV.38.0032.2                | 38     | Ø32 x 40                                 | 85  | 75  | 22   | 45   |                        |                              |                                 |                                 |
| NHV.38.0032.3                | 38     | Ø32 x 40                                 | 115 | 105 | 22   | 45   |                        |                              |                                 |                                 |
| NHV.38.0032.4                | 38     | Ø32 x 60                                 | 175 | 165 | 22   | 45   |                        |                              |                                 |                                 |
| NHV.45.0040.1                | 45     | Ø40 x 60                                 | 60  | 50  | 24   | 55   |                        |                              |                                 |                                 |
| NHV.45.0040.3                | 45     | Ø40 x 60                                 | 115 | 105 | 24   | 55   |                        |                              |                                 |                                 |
| NHV.45.0040.4                | 45     | Ø40 x 60                                 | 165 | 155 | 24   | 55   |                        |                              |                                 |                                 |
| NHV.45.0040.5                | 45     | Ø40 x 60                                 | 215 | 205 | 24   | 55   |                        |                              |                                 |                                 |

Bestellbeispiel:  
NHV.22.0025.1

order-example:  
NHV.22.0025.1

