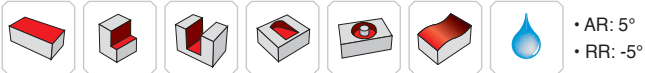
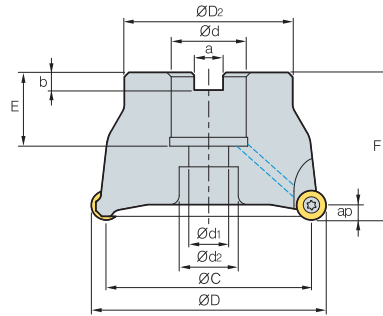


# FMRC(M)4000



Designation			ØD	ØC	ØD <sub>2</sub>	Ød	a	b	E	F	Ød <sub>1</sub>	Ød <sub>2</sub>	ap	
FMRCM	4050HRD	4	50	38	42	22	10.4	6.3	20	50	11	18	6.0	0.4
	4063HRD	4	63	51	49	22	10.4	6.3	20	50	11	18	6.0	0.6
	4063HRD-M	5	63	51	49	22	10.4	6.3	20	50	11	18	6.0	0.6
FMRC (FMRCM)	4080HRD	5	80	68	57	25.4 (27)	9.5 (12.4)	6 (7.0)	25 (23)	50 (50)	14	20	6.0	1.0
	4080HRD-M	6	80	68	57	25.4 (27)	9.5 (12.4)	6 (7.0)	25 (23)	50 (50)	14	20	6.0	1.0
	4100HRD	6	100	88	67	31.75 (32)	12.7 (14.4)	8 (8.0)	33 (25)	63 (50)	18	26	6.0	1.9 (1.5)
	4100HRD-M	7	100	88	67	31.75 (32)	12.7 (14.4)	8 (8.0)	33 (25)	63 (50)	18	26	6.0	1.9 (1.5)
	4125HRD	7	125	113	87	38.1 (40)	15.9 (16.4)	10 (9.0)	35 (29)	63 (63)	22	32	6.0	3.0
4125HRD-M	8	125	113	87	38.1 (40)	15.9 (16.4)	10 (9.0)	35 (29)	63 (63)	22	32	6.0	3.0	

Note) It's general that you measure of inner diameter when the diameter of FMRC/FMRCM is Ø40~Ø63

( ) Metric size

## Available inserts

RDKT-MF      RDKT-MM      RDCT-MA



Designation	Cermet		Coated											Uncoated		page		
	CN2000	CN30	NCM925	NC5330	NCM535	NCM545	PC2505	PC2010	PC3600	PC3700	PC6510	PC9530	PC9540	PC5300	PC5400		ST30A	H01
RDCT 1204M0-MA																	●	E15 E16
RDKT 1204M0-MF									●		●			●				
1204M0-MM			●						●	●	●			●				

## Available arbors

Designation	Ød	NC arbors
FMRCM 4063HRD	22	BT□□-FMC22-□□
4063HRD-M		
FMRC (FMRCM) 4080HRD	25.4	BT□□-FMA/FMB25.4-□□
4080HRD		
4080HRD-M	27	BT□□-FMB/FMC27-□□
4100HRD	31.75	BT□□-FMA31.75-□□
4100HRD-M	32	BT□□-FMC32-□□
4125HRD	38.1	BT□□-FMA/FMB38.1-□□
4125HRD-M	40	BT□□-FMB/FMC40-□□

## Parts

Specification		
Ø50~Ø125	FTKA0410	TW15S

Available inserts E15, E16

Available arbors and bolt E400~E402